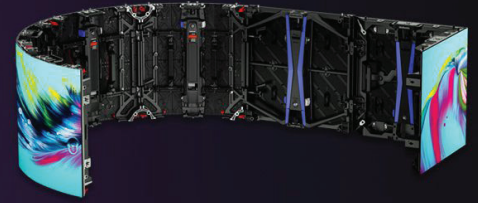




Unilumin

UPADIV 1.9

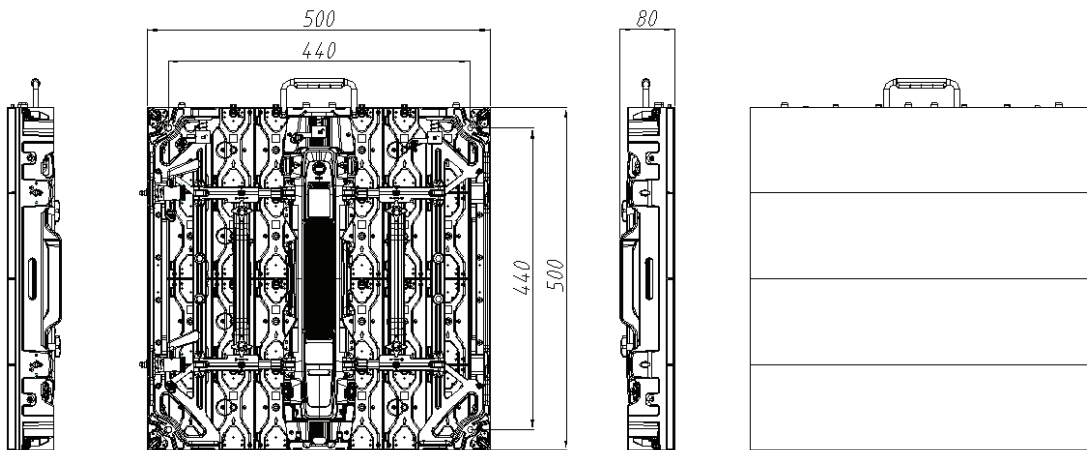
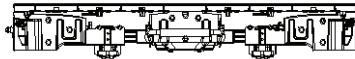
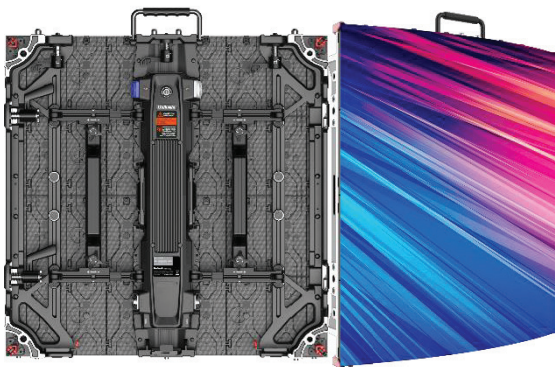


XS Series

UpadIV1.9-S

Product features:

- flexible cabinet for creative application
- curve range of $\pm 45^\circ$
- minimum 1.2m circle diameter
- perfect S shape



Main Technical Specifications:

Parameter	UpadIV 1.9-S
Pixel Pitch	1.9mm
LED Type	3-in-1 Black SMD
Brightness	1,200 cd/m ²
Pixel Density	262,144 pixels/m ²
Pixels Per Panel	256×256 pixels
Module Size	W500mm×H125mm
Panel Size	W500mm×H500mm×D80mm
Weight	7.7 kg/panel
Maintenance	Rear
Ingress Protection	IP30
Curve	(Convex)-45°~+45°(Concave)
Aspect Ratio	1:1
Panel Area	0.25 m ²
Recommended Viewing Distance	≥1.9 m
Environment	Indoor
Material	Die-cast Aluminum
Calibration	Support Brightness and Chroma
Brightness Control	Manual/Automatic
Color Temperature	2,000K~9,300K Adjustable
Horizontal Viewing Angle	160°
Vertical Viewing Angle	160°
Contrast Ratio	8,000:1
Input Power <Max>	130 W/panel
Input Power <Typical>	45 W/panel
Input Voltage	100~240 VAC
Processing Depth	16 bit